



# ISM-ADR500 SERIES

## Art Deco Smart Mortise Entry Sets

- BHMA/ANSI Grade 1, UL 3-hr fire rated commercial mortise lock that can be remotely locked, unlocked, and programmed using smartphone or BLE/WIFI gateway
- Intuitive mobile INOX app supports multiple users and properties with real time access management
- Entry function with easily programmable Privacy and Passage modes with optional mechanical key override
- The Patent Pending lock is installed without special door prep and is battery powered

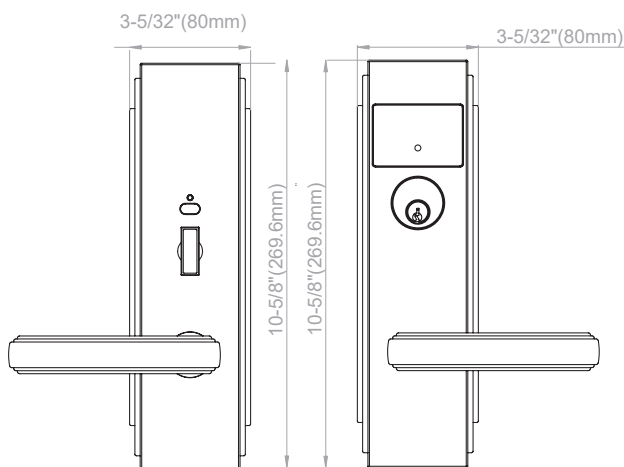
### APPLICATION

The Art Deco movement represented luxury, glamour, exuberance, and faith in social and technological progress. This lock embodies the essence of a bygone era while embracing the convenience of contemporary access management.

### FINISH

- 38 Age Brass
- 19G Graphite Black
- CeraMax Ceramic Coating: C19G Graphite Black, C19 Flat Black, CGY Stormy Grey, CDB Dark Bronze
- Please see Finish Solutions on INOX website for special order finishes

### DIMENSIONS



### FEATURES

- ISM-MC7000 has a motor-driven deadbolt that provides auto-locking function
- Multi-credential support: Passcodes, RFID FOB/Card/ Wristband, and Smart Phone
- Remote access using Wi-Fi or POE gateway
- High Frequency RF13.56 MHz card, fob, wristband
- Passage mode can be activated with interior button
- Unit powered by 4 x AA alkaline batteries with secondary 9V power source for emergency access
- Remote Access and Management via Wi-Fi and Low Energy Bluetooth
- User Capacity: 2000 Total (1000 RF/Passcode and 1000 Mobile)
- Simple Touch-to-Lock Digital Keypad, no device or keys needed for secure opening
- Audit trails with 100,000 records shows all Lock and Unlock activities

### CODE COMPLIANCE

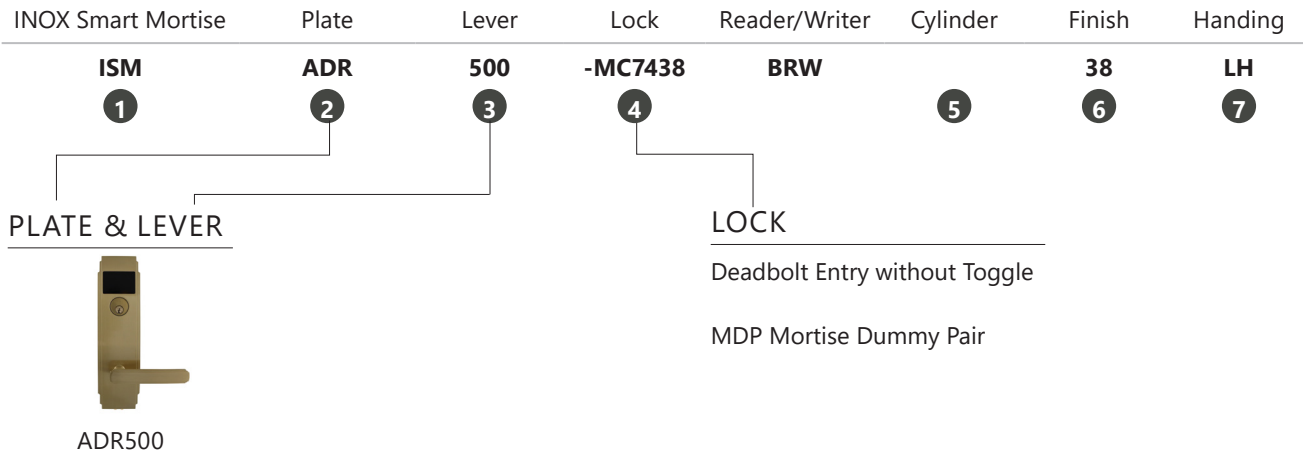
- ANSI/BHMA A156.13 Grade 1 Mortise Locks
- UL Listed for 3 hour fire doors
- CAN/ULC S104 up to 3 hours
- UBC Standard 7-2 (1997) NFPA 252
- NFPA 80 National Fire Protection - Fire Door Assembly
- NFPA101 National Fire Protection - Life Safety
- ANSI/BHMA A156.18 Finishes

Disclaimer: This document is a Product Preview Sheet (PPS) that contains design concepts and specifications in development as a work in progress. INOX reserves the right to modify any and all parts of product design, dimensions, specifications, functions, and proprietary configurations at any time. Updated revisions will be released at INOX's discretion. Please contact Unison Hardware, Inc., to inquire about updated information before specifying and ordering this product.

# HOW TO ORDER ART DECO ISM7000 SMART MORTISE ENTRY SET

## HOW TO ORDER LOCKSETS

Use the sequence below to order or specify mortise locksets. Please see price book for parts or additional service upcharges.



### 5 CYLINDER AND HOUSING (INCLUDES COLLAR)

LC = Less Cylinder



Blank = Standard Mortise 1-1/4" Cylinder



-S6 = Small Format Interchangeable Cylinder (SFIC) Housing 1-1/4", 6-Pin, Less Core, L Clover Cam

-S7 = Small Format Interchangeable Cylinder (SFIC) Housing 1-3/8", 7-Pin, Less Core, L Clover Cam

-L6 = Large Format Interchangeable Cylinder (LFIC) Housing 1-1/2", 6-Pin, Less Core, L Clover Cam



Order IC Cores and Thick Door Kits (TDKs) separately - See Price Book

### 6 FINISH

Standard:



38



C19G



C19



CGY



CDB



19G

### 7 HANDING

RH = Right Hand

LH = Left Hand

RHR = Right Hand Reverse

LHR = Left Hand Reverse