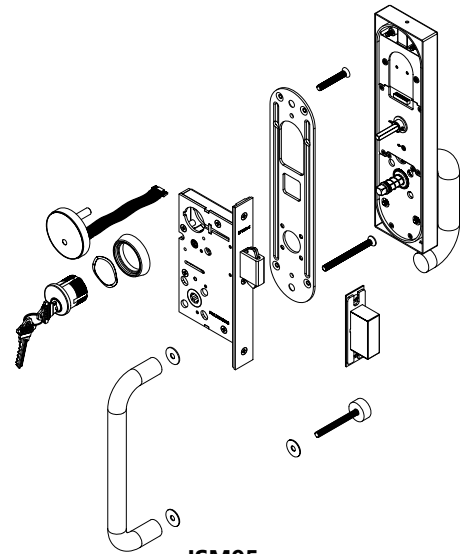


**Installation Instructions**

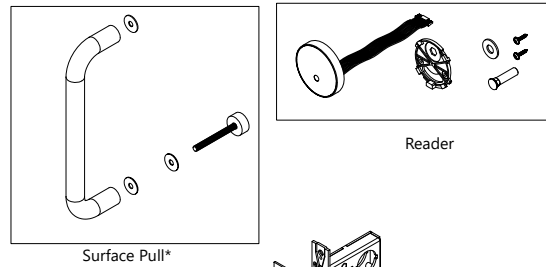
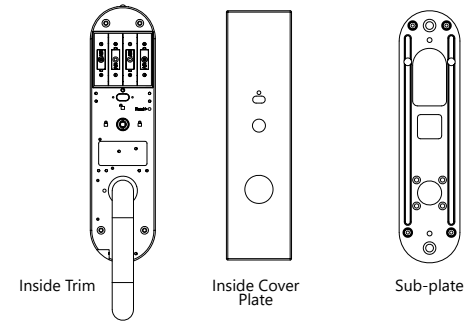


**ISM95  
Smart Lock with Surface Pull by SFR Plate  
for Sliding Doors**

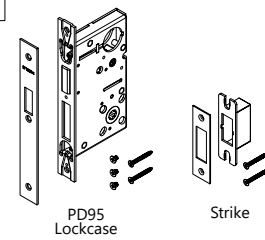
This product is intended to be installed in accordance with the local authority having jurisdiction (AHJ) and the National Electric Code, NFPA 70.

PM-ISISM95PH  
V20230508

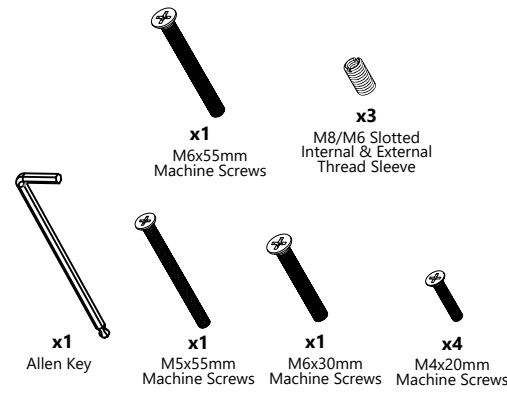
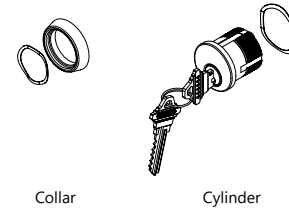
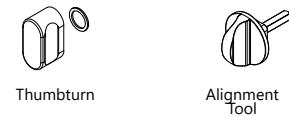
**Components List**



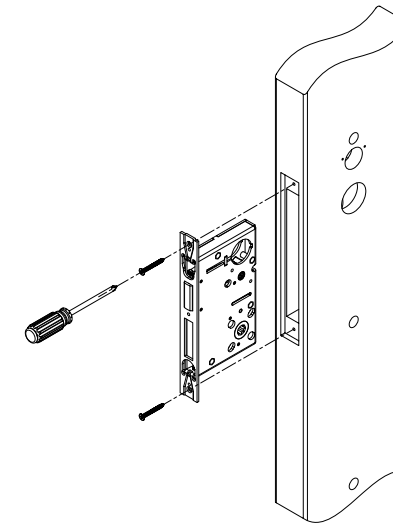
*\*Surface Pull is ordered as a separate line item; the version received may be an alternative shape & size than depicted*



**Components List (continued)**

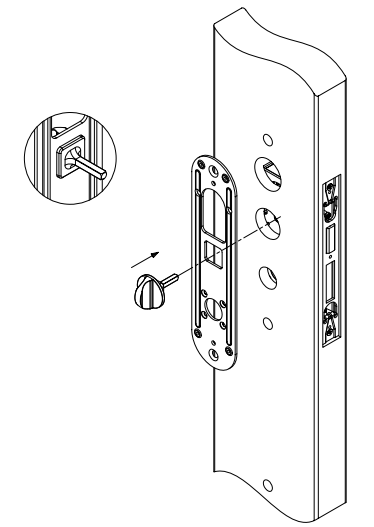


**Step 1: Install Mortise Lockcase**



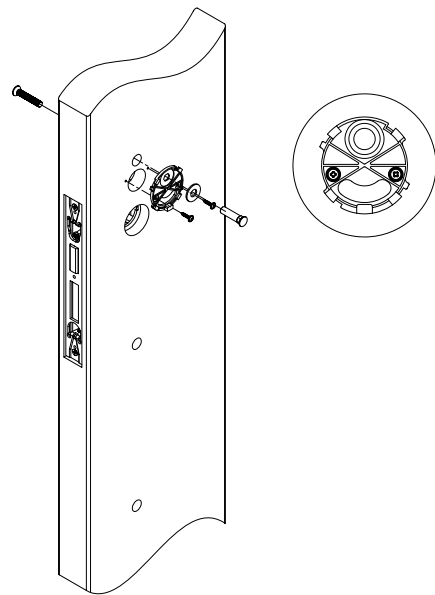
Once door prep is complete, install mortise lockcase. Do not tighten faceplate screws on lockcase until you have installed the mortise cylinder.

**Step 2: Align Interior Sub-plate and Deadbolt Hub**



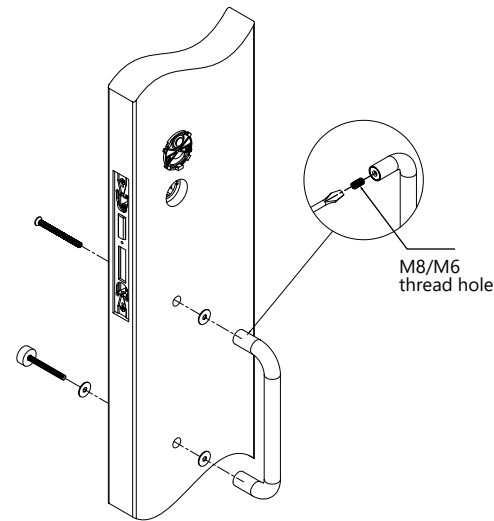
Firmly insert alignment tool into square cut-out of sub-plate and into thumbturn spindle hub of mortise lock.

**Step 3: Install Base to Reader**



Install base of reader with thru-bolt. Ensure base is horizontally level, then tighten thru-bolt. Tighten wood screws with screwdriver.

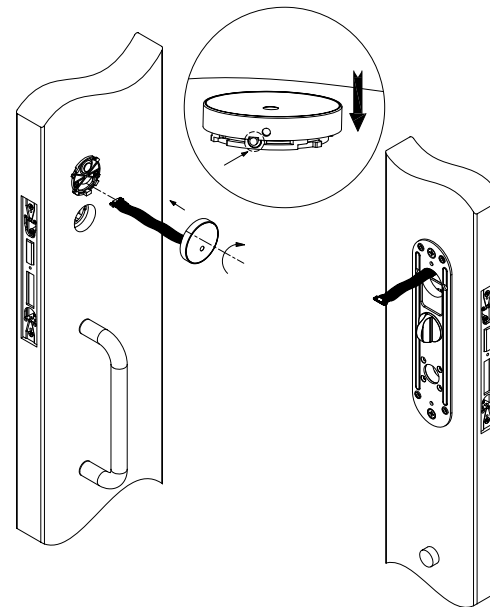
**Step 4: Install Pull Handle**



Install M8/M6 slotted internal and external thread sleeve with slotted screwdriver into pull handle with M8 thread hole.

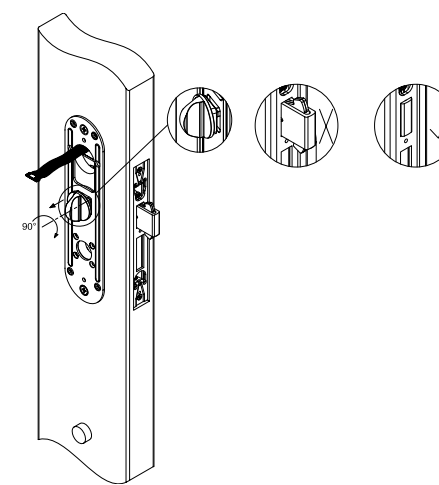
**NOTE: If pull handle with M8 thread hole, install M8/M6 slotted internal and external thread sleeve with slotted screwdriver into pull handle.**

**Step 5: Mount Outside Reader**



Guide wire through opening and mount reader. Rotate reader clockwise; when you hear it "click" the reader is properly installed. Status Indicator light should be positioned bottom center as shown.

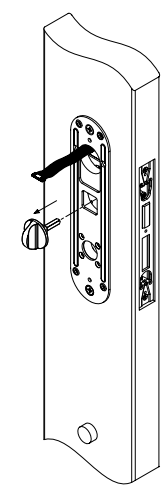
**Step 6: Test Mortise Lockcase Deadbolt**



Once sub-plate is properly installed, use alignment tool to throw and retract the deadbolt.

**WARNING: For initial setting, deadbolt must be in retracted position.**

**Test Mortise Lockcase Deadbolt (continued)**

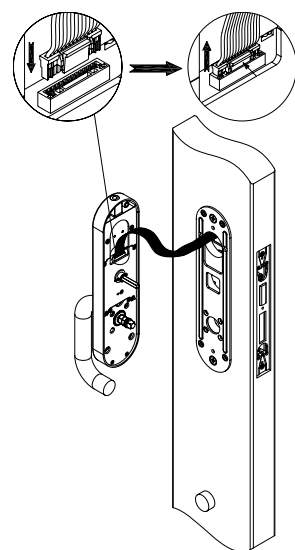


After aligning thumbturn spindle with sub-plate, slightly pull alignment tool from square cut-out enough so that it can be turned 90° to test deadbolt operation.

Use turn knob to throw deadbolt in and out of lock case; operation should be smooth.

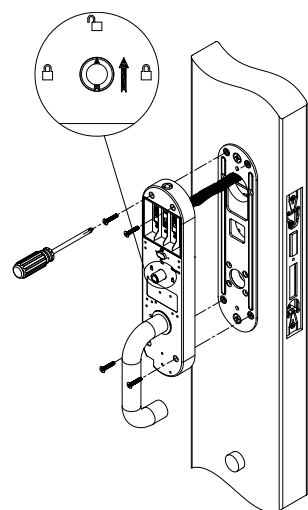
If deadbolt operation is not smooth, adjust sub-plate position up or down; loosen or remove and reinstall sub-plate screw if necessary. Re-test deadbolt operation with alignment tool until action is smooth, then remove alignment tool.

**Step 7: Connect Wire to Interior**



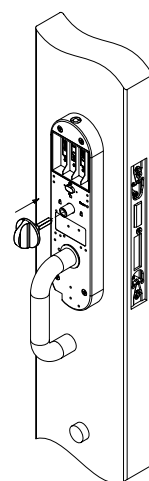
Connect outside Reader wire to inside trim molex connector. To separate wires press clip on the connector.

**Step 8: Mount Interior Trim**



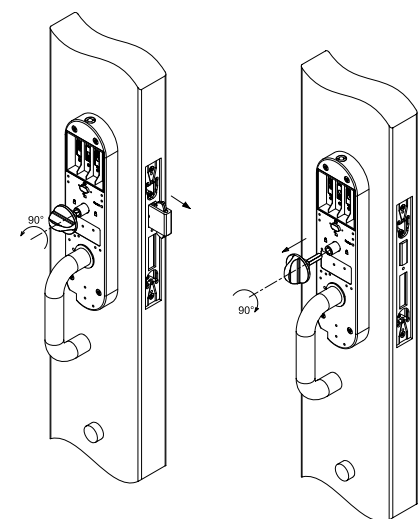
Turn arrow of inside plate spindle to "unlocked" icon as shown.  
Conceal wire by tucking it into to door through the internal sub-plate.  
Insert and tighten four M4x20 mm screws to sub-plate.  
**NOTE: Be sure to tuck wires into hole to ensure wires are not severed if plate presses against them.**

**Step 9: Repeat Test of Mortise Deadbolt**



Use alignment tool to test deadbolt operation after installing inside escutcheon.

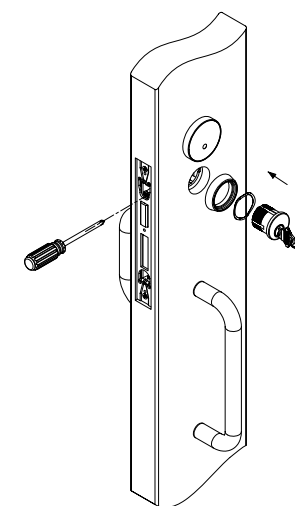
**Step 10: Trouble-Shooting Mortise Deadbolt**



Ensure deadbolt can be smoothly thrown and retracted. If action is not smooth, repeat earlier steps to adjust the sub-plate.

**NOTE: Retract deadbolt before removing alignment tool.**

**Step 11: Install Cylinder**



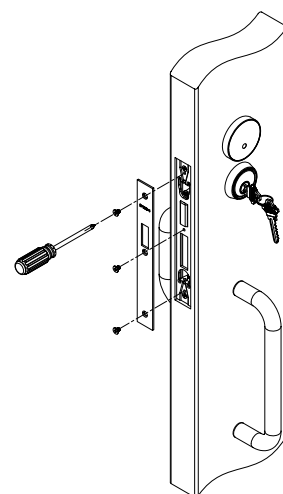
Screw cylinder into outside escutcheon, ensuring key hole is properly oriented and in lower position.

Insert a screwdriver through lock face to tighten yoke and secure cylinder into position.

Use key to throw and retract deadbolt.

**NOTE: Do not overtighten the screw, as it can cause the cylinder to shift position.**

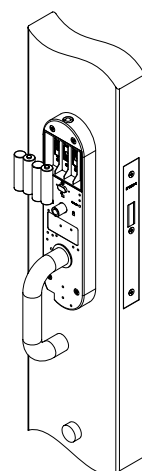
**Step 12: Install Faceplate**



Ensure that the deadbolt can be smoothly thrown and retracted. If action is not smooth, repeat Step 10 to adjust the sub-plate.

**NOTE: Retract deadbolt before removing the alignment tool.**

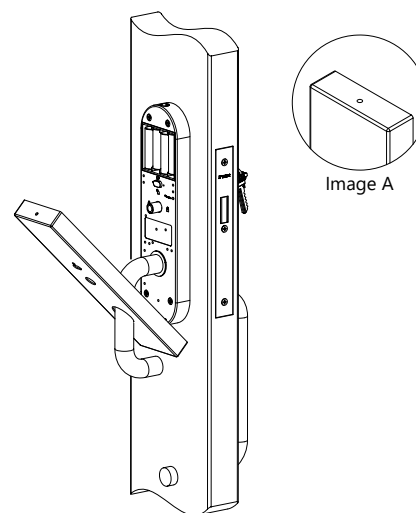
**Step 13: Install Batteries**



Ensure deadbolt is in retracted position before installing four AA batteries. Align batteries to correct polarity in compartment.

**NOTE: There will be a short delay, but lock will be active when you hear the audio and see the light confirmation.**

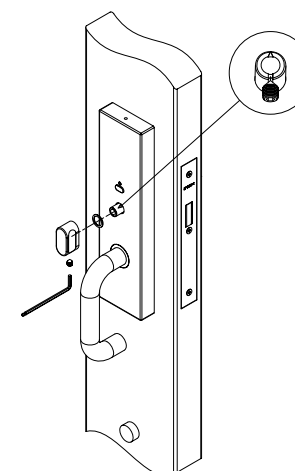
**Step 14: Mount Interior Plate Cover**



Slide interior cover plate over lever, push onto inside escutcheon, and ensure cover plate is securely attached by ball bearing on top of escutcheon (Image A).

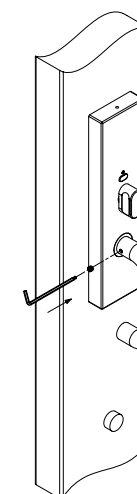
**NOTE: When battery power is low, remove interior plate cover by pushing down on ball socket at top of plate. Slide interior cover over lever in order to access battery pack. All four AA batteries should be replaced.**

**Step 15: Install Thumbturn**



Align thumbturn set screw to groove of spindle. Tighten set screw with Allen Key.

**Step 16: Tighten Lever**



Tighten set screw of lever with Allen Key.