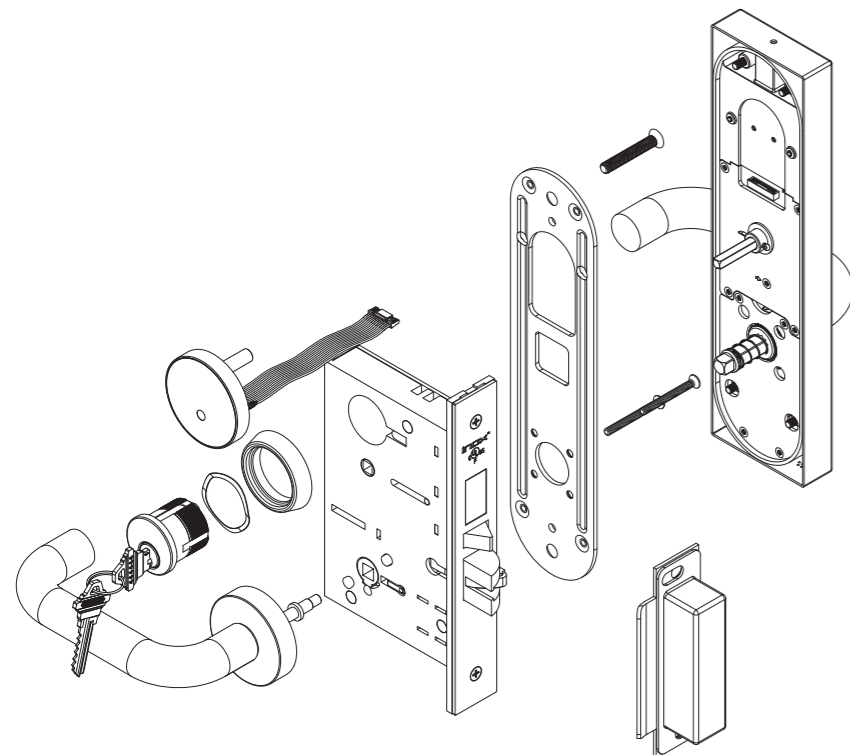




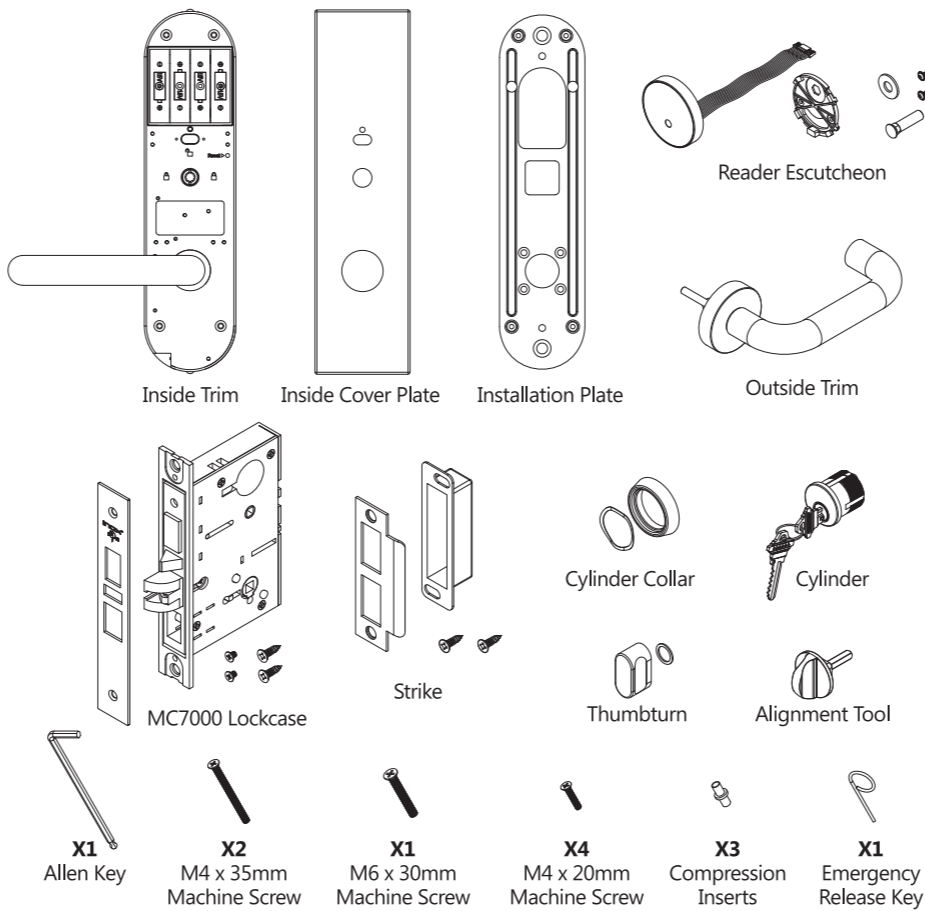
ISM-MC7000 Smart Sectional Mortise Installation Instructions



PM-HSISM7000-SR
V20230922

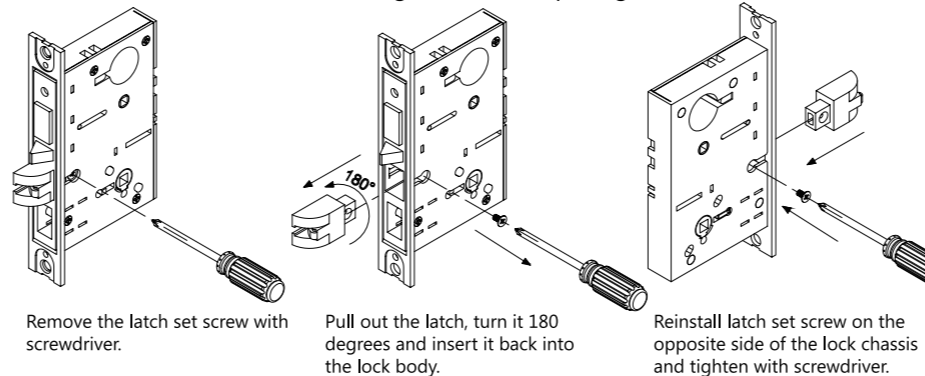
www.inoxproducts.com

Components List



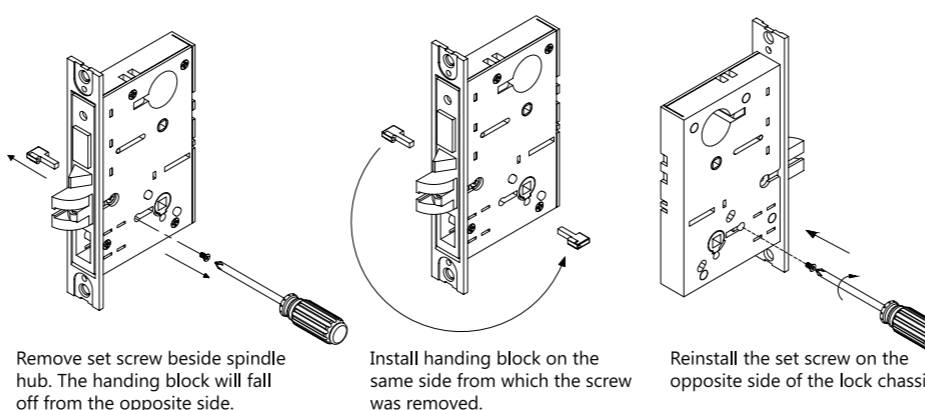
Step 1: Changing Latch Bolt Handing

Set the latch bolt direction according to the door opening.



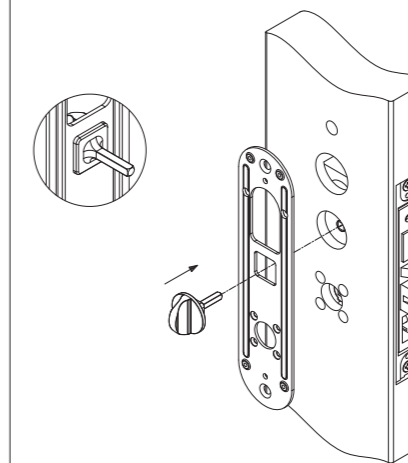
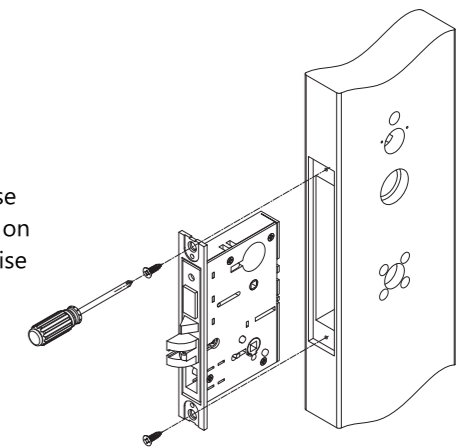
Step 2: Changing Door Handing

Set the lock handing according to the door opening.



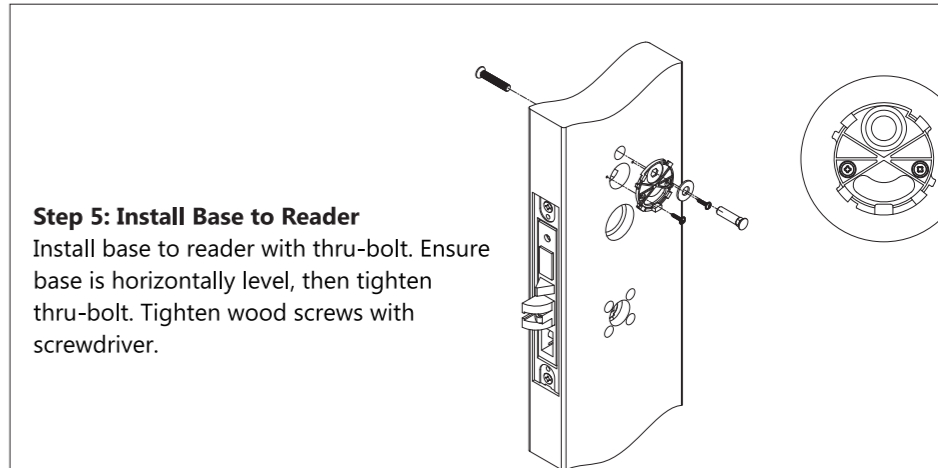
Step 3: Install Mortise Lockcase

Once door prep is complete, install mortise lockcase. Do not tighten faceplate screws on lockcase until you have installed the mortise cylinder.



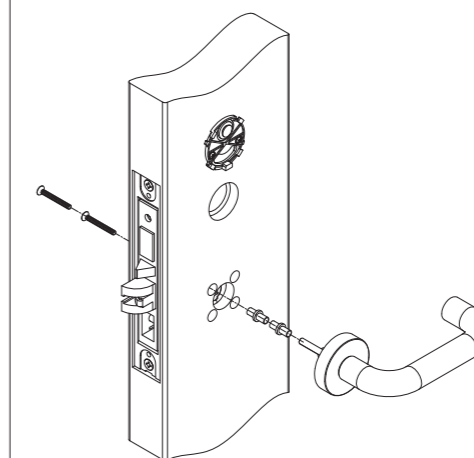
Step 4: Align Interior Sub-plate and Deadbolt Hub

Firmly insert alignment tool into square cut-out of sub-plate and into thumbturn spindle hub of mortise lock.



Step 5: Install Base to Reader

Install base to reader with thru-bolt. Ensure base is horizontally level, then tighten thru-bolt. Tighten wood screws with screwdriver.

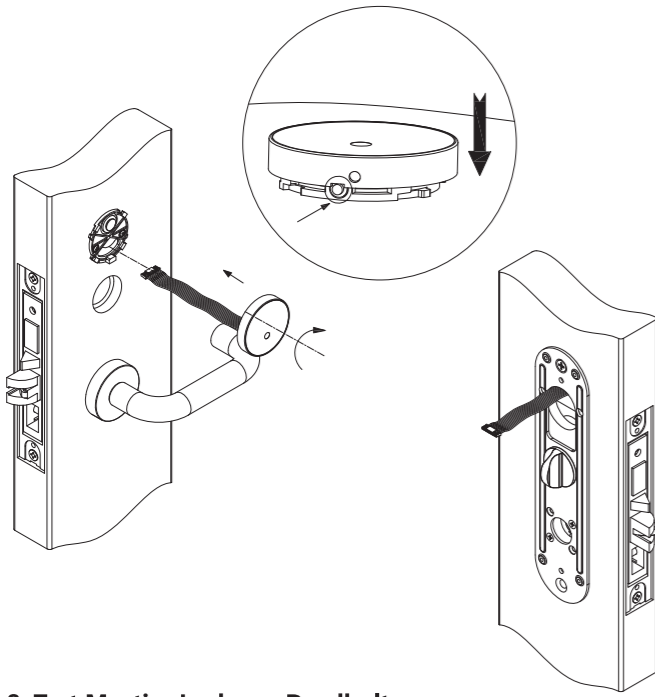


Step 6: Install Outside Trim

Install the compression inserts to lock case from outside and then install the exterior lever. Make sure the dummy spindle is installed properly and the set screw tightened before installing the outside trim.

Step 7: Mount Outside Reader

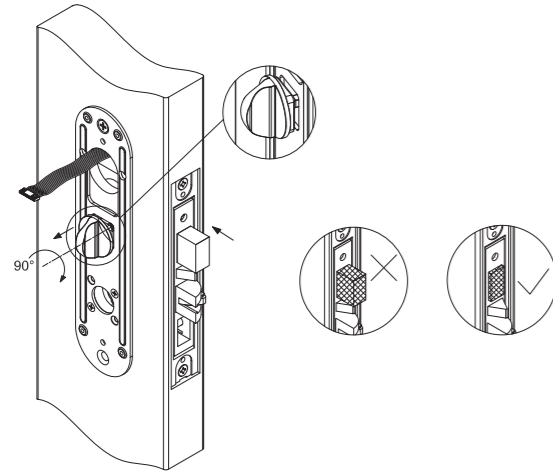
Insert wire through opening and mount reader. Rotate reader clockwise; when you hear it "click" the reader is properly installed. Status Indicator light should be positioned bottom center as shown.



Step 8: Test Mortise Lockcase Deadbolt

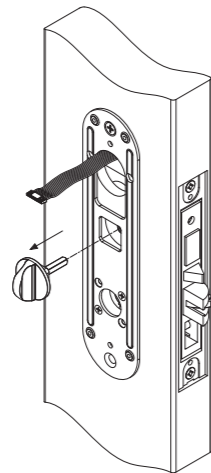
Once sub-plate is properly installed, use alignment tool to throw and retract the deadbolt.

WARNING: For initial setting, deadbolt must be in retracted position.



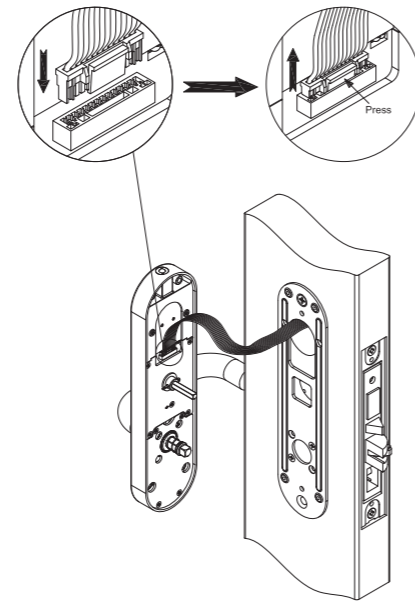
After aligning thumbturn spindle with sub-plate, slightly pull alignment tool from square cut-out enough so that it can be turned 90° to test deadbolt operation.

Turn the alignment tool to throw deadbolt in and out of lock case; operation should be smooth. If deadbolt operation is not smooth, adjust sub-plate position up or down; loosen or remove and reinstall sub-plate screw if necessary. Re-test deadbolt operation with alignment tool until action is smooth, then remove alignment tool.



Step 9: Connect Wire to Interior

Connect outside reader wire to inside trim molar connector. To separate wires, press clip on the connector.

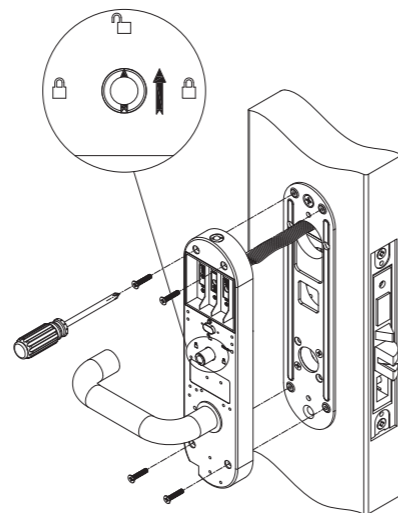


Step 10: Mount Interior Trim

Turn arrow of inside plate spindle to "unlocked" icon as shown. Conceal wire by tucking it into to door through the internal sub-plate.

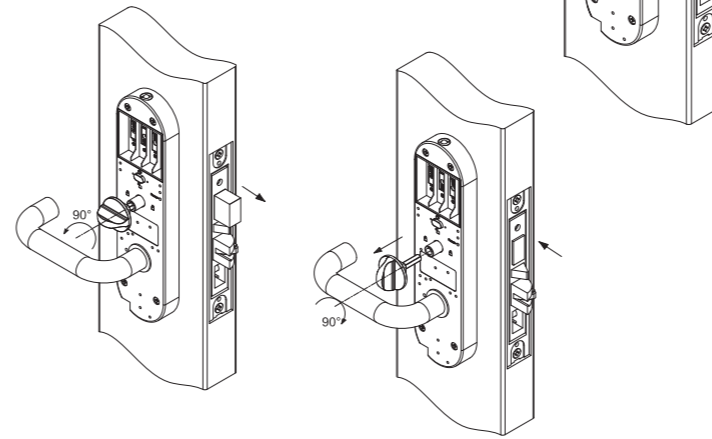
Insert and tighten four M4x20 mm screws to sub-plate.

NOTE: Be sure to tuck wires into hole to ensure wires are not severed if plate presses against them.



Step 11: Repeat Test of Mortise Deadbolt

Use alignment tool to test deadbolt operation after installing inside escutcheon.



Trouble-Shooting Mortise Deadbolt

Ensure deadbolt can be smoothly thrown and retracted. If action is not smooth, repeat earlier steps to adjust the sub-plate.

NOTE: Retract deadbolt before removing alignment tool.

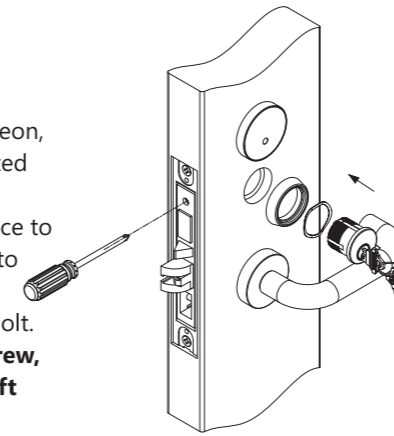
Step 12: Install Cylinder

Screw cylinder into outside escutcheon, ensuring key hole is properly oriented and in lower position.

Insert a screwdriver through lock face to tighten yoke and secure cylinder into position.

Use key to throw and retract deadbolt.

NOTE: Do not overtighten the screw, as it can cause the cylinder to shift position.

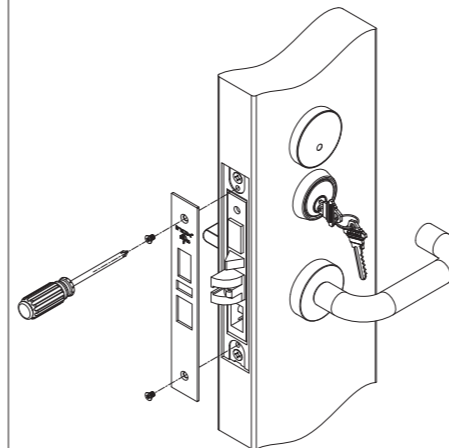


Step 13: Install Faceplate

Install armored faceplate with M4 screws.

Ensure that the deadbolt can be smoothly thrown and retracted. If action is not smooth, repeat Step 6 to adjust the sub-plate.

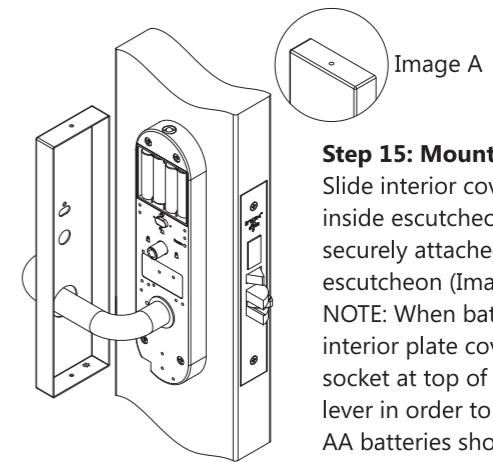
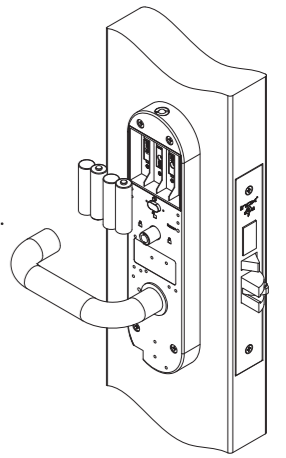
NOTE: Retract deadbolt before removing the alignment tool.



Step 14: Install Batteries

Ensure deadbolt is in retracted position before installing four AA batteries. Align batteries to correct polarity in compartment.

NOTE: There will be a short delay, but lock will be active when you hear the audio and see the light confirmation.



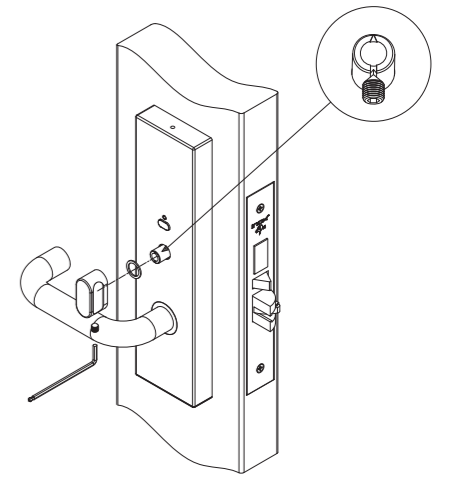
Step 15: Mount Interior Plate Cover

Slide interior cover plate over lever, push onto inside escutcheon, and ensure cover plate is securely attached by ball bearing on top of escutcheon (Image A).

NOTE: When battery power is low, remove interior plate cover by pushing down on ball socket at top of plate. Slide interior cover over lever in order to access battery pack. All four AA batteries should be replaced.

Step 16: Install Thumbturn

Align thumbturn set screw to groove of spindle. Tighten set screw with Allen Key.



Step 17: Tighten Lever

Tighten the set screws of levers with Allen Key.

