

Access Control in a Box

Grade 1 Electric Strike for Cylindrical Locks with Smart Reader Controller Components List



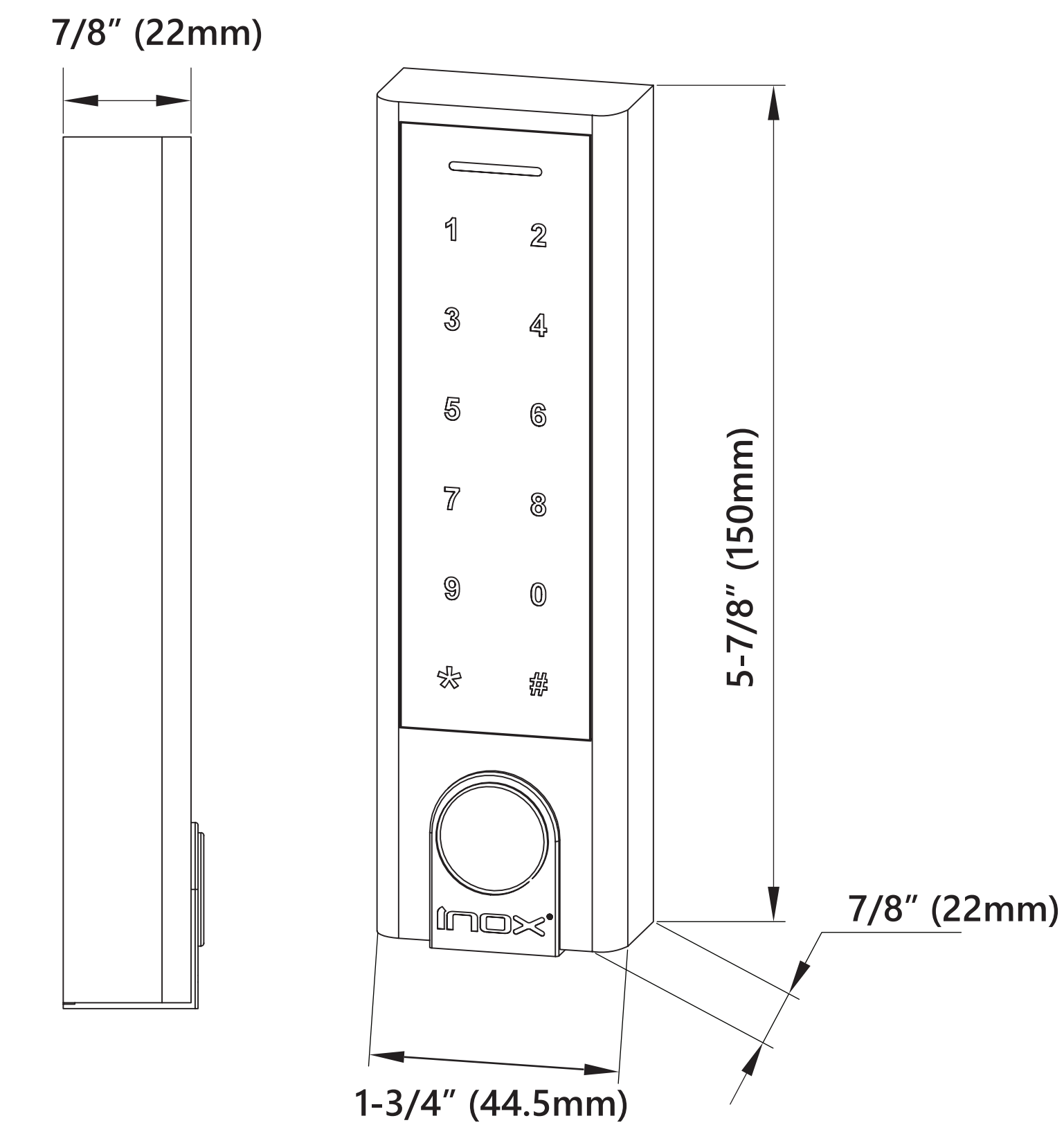
Description	Item Code	QTY
Smart Reader / Controller	ISK-B300-FINISH	1
Electric Strike	ES-CY079L-FINISH	1
PSP Power	PS-3MC-6-FINISH	1
Electrical Wire for Power Supply	EW-MX3.0-2SM254-2P	1
Electrical Wire for DBM	EW-MX3.0-2SM254-2P-BM	1
DSP for Wood	DPS-33A-W-FINISH	1
DSP for Metal	DPS-36-M-FINISH	1
BLE/Wi-Fi/Zigbee Gateway	ISGW-BZ31-FINISH	1
RFID Fobs	ISEK-R3-F001-GR	2
RFID Stickers	ISEK-R3-S001-GR	2

PM-AXCY-CLS
V:20230728

1

Reader, Controller with Digital Keypad

Item Code: ISK-B300-FINISH



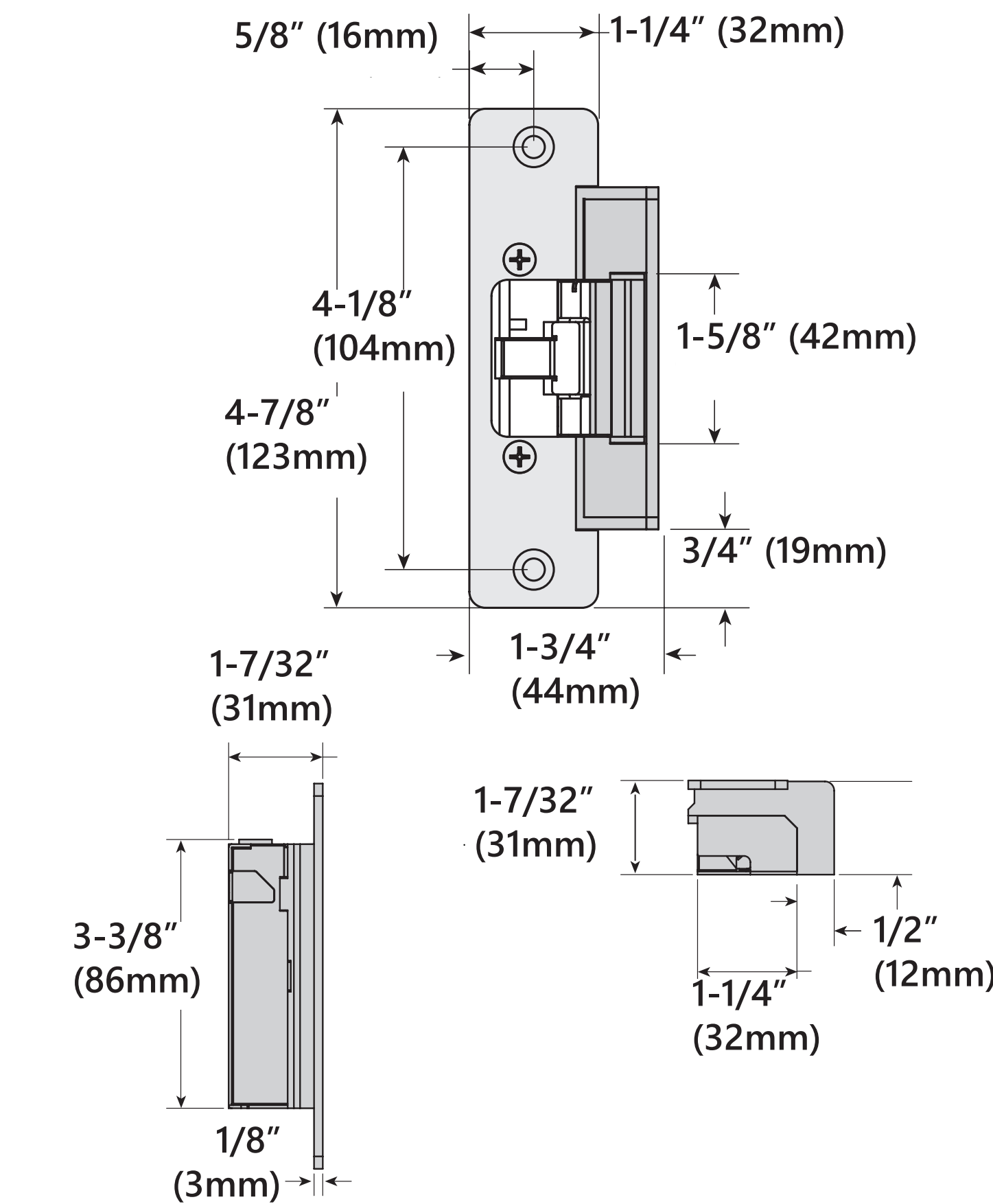
Specifications

- Connects directly with any hardwired electrified locking device
- Voltage: 12/24V DC
- Read Range: 3/4" to 2-1/2"
- Frequency: 125KHz / 13.56MHz
- User Capacity: 2000 Total (1000- RF/Passcode + 1000 Mobile)

2

Grade 1 Electric Strike for Cylindrical Locksets

Item Code: ES-CY079L-FINISH



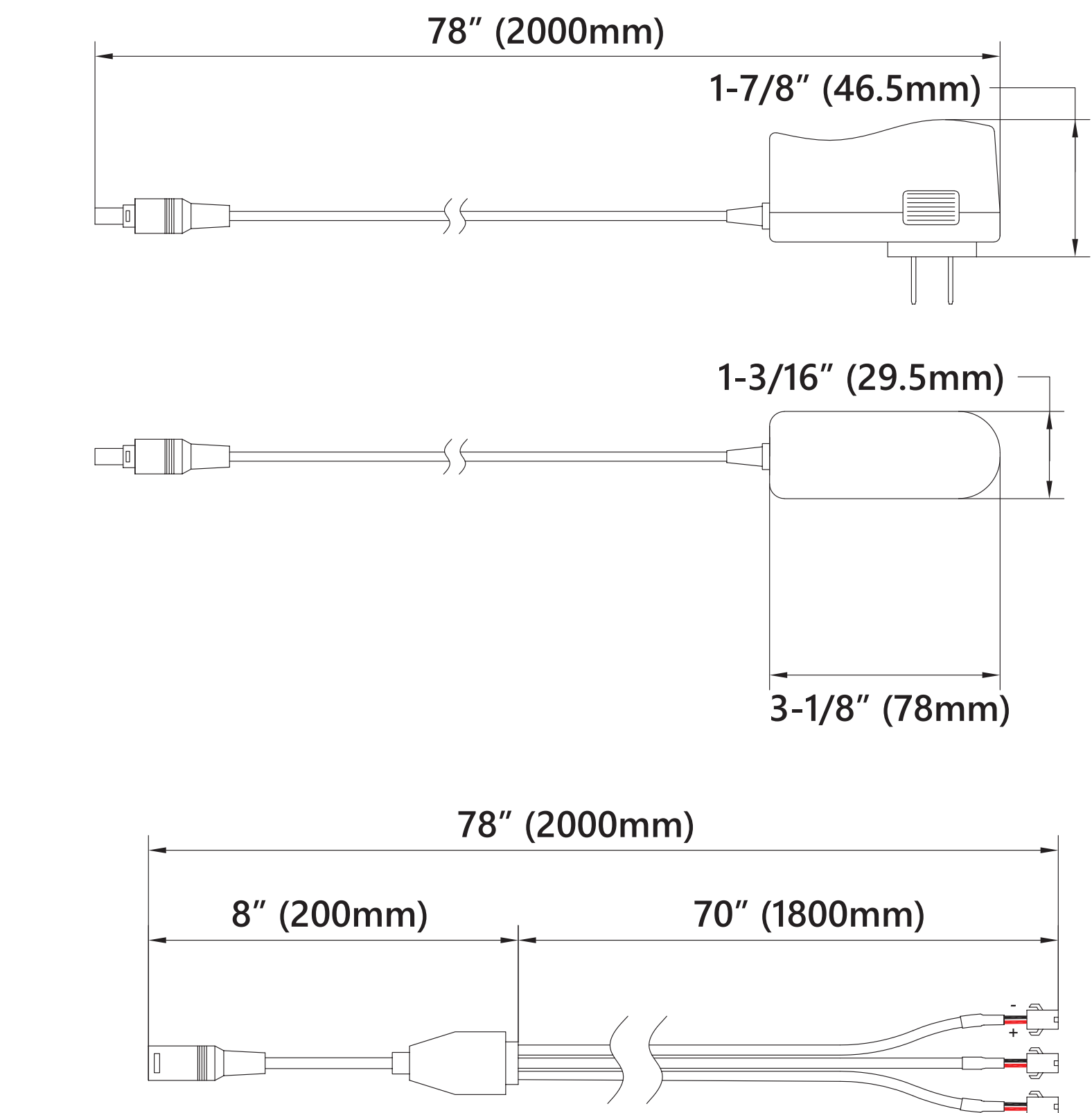
Specifications

- Compatible Centerline Cylindrical Locksets (Non-Handed)
- Input Voltage: 12/24V AC/DC
- Current draw: 260mA at 12V DC
150mA at 24V DC
- 250K UL verified endurance cycle testing
- Fail Safe (EL) and Fail Secure (EU) Modes

3

Plug-in Power Supply

Item Code: PS-3MC-6-FINISH



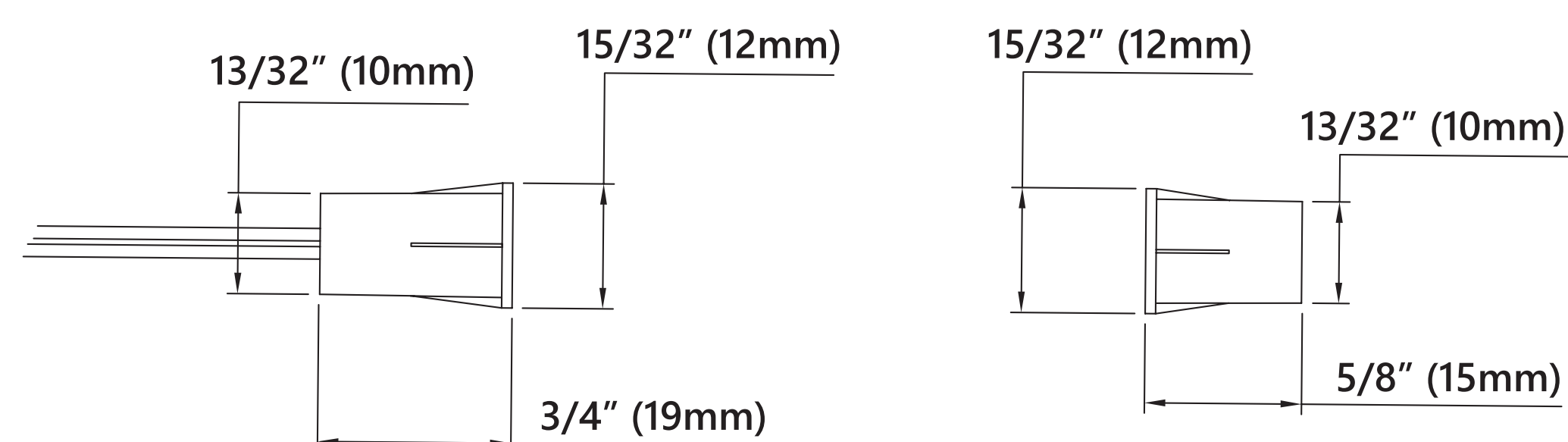
Specifications

- Plugs into any standard 110V Outlet
- Input Voltage: 100-240VAC/50-60Hz
- Large Capacity Output Voltage: 1 AMP (1000mA) @24V
- 6.6' foot output DC Cable wth 3 Molex 2-Pin Connector
- Certifications: UL Listed / DoE VI Compliant

4

Door Position Sensor for Wood Doors and Frames

Item Code: *DPS-33A-W-FINISH*



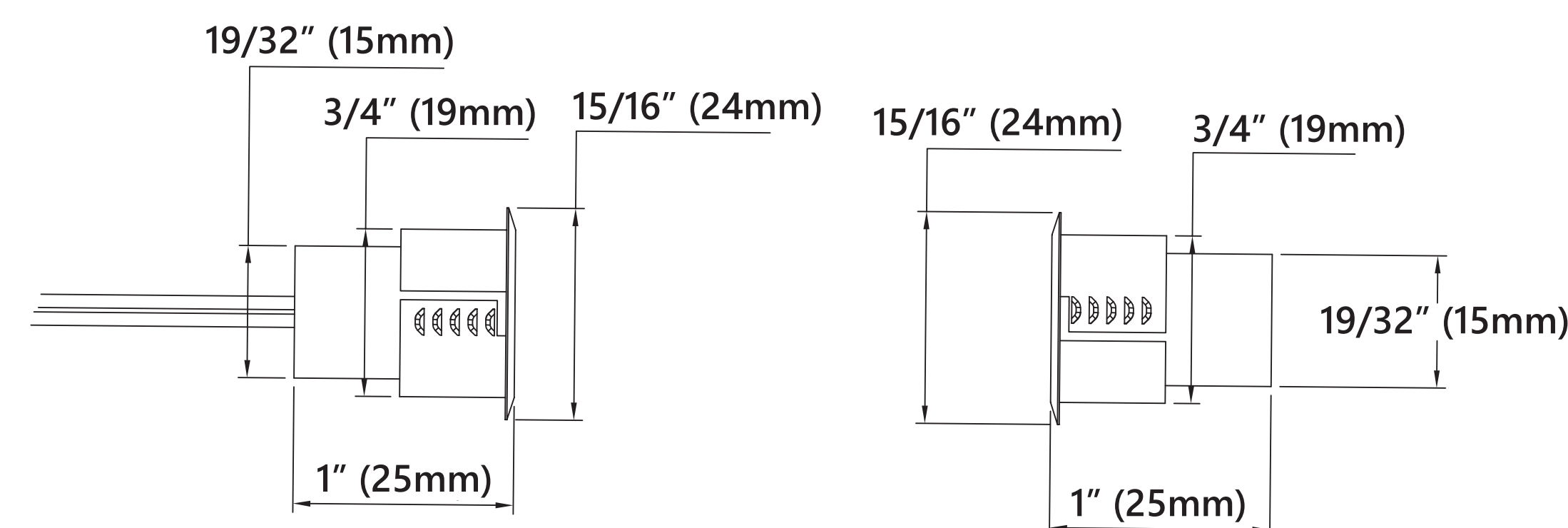
Specifications

- Max Voltage: 100V AC/DC
- Max Current Draw: 0.5mA
- Max Power: 10W
- Read Range: 1/2" to 1"
- Signal Output:
Normally Closed (NC)
Common (COM)

5

Door Position Sensor for Metal Doors and Frames

Item Code: *DPS-36-M-FINISH*



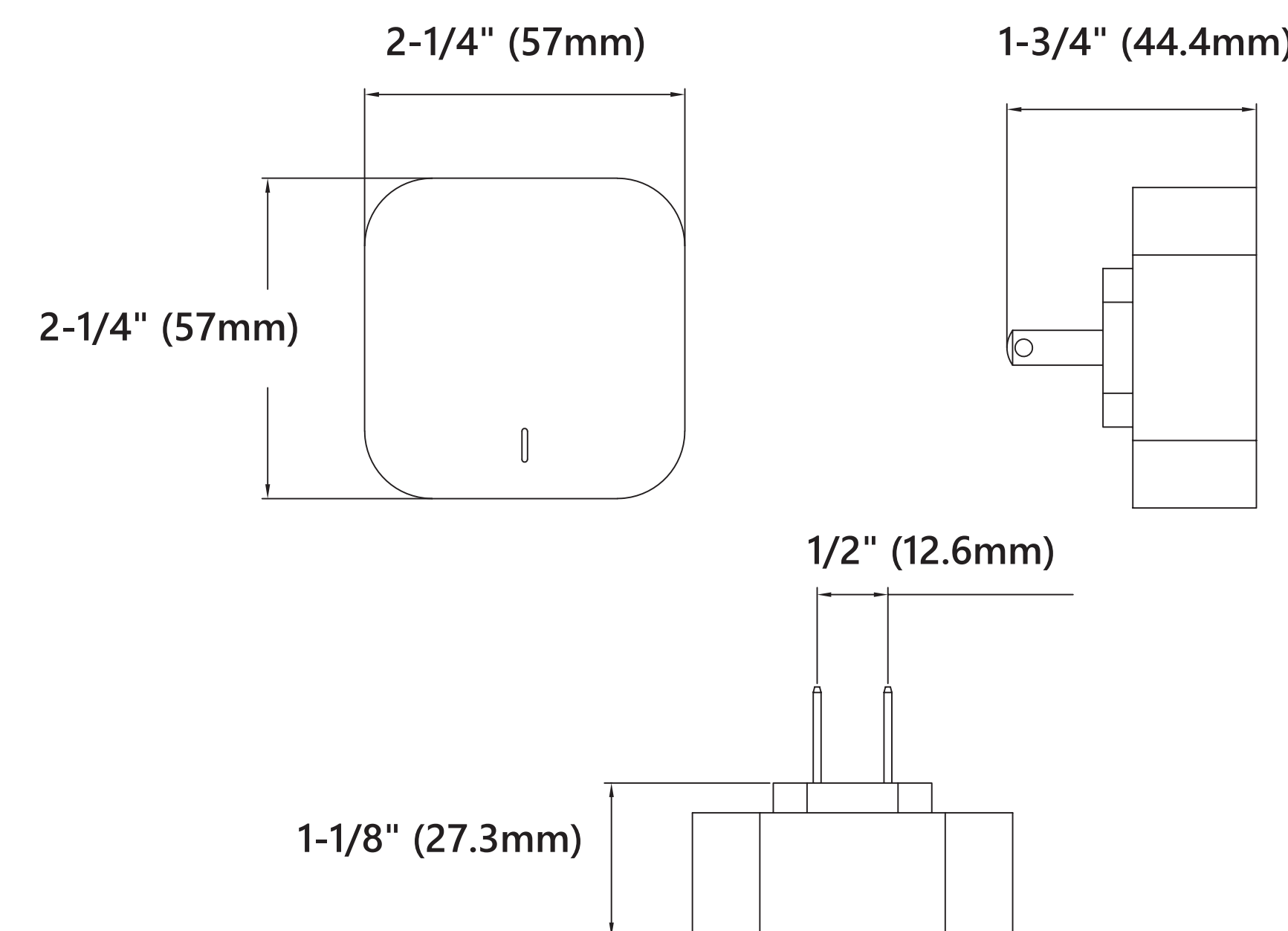
Specifications

- Max Voltage: 100V AC/DC
- Max Current Draw: 0.5mA
- Max Power: 10W
- Read Range: 1/2" to 1-3/8"
- Signal Output:
Normally Closed (NC)
Common (COM)

6

BLE / Wi-Fi / Zigbee Gateway

Item Code: *ISGW-BZ31-FINISH*



Specifications

- Supports up to 128 devices simultaneously
- BLE / Wi-Fi / Zigbee allows remote access for gateway to connects with the INOX App
- Protocol Specs: BLE - 4.2 IEEE 802.15.4
Wi-Fi 2.4G IEEE 802.11n
Zigbee 3.0 IEEE 802.15.4
- Power input: 110~220V
- Range: Clear line of sight at 55'; through two walls is 20'

7

System Wiring Diagram

