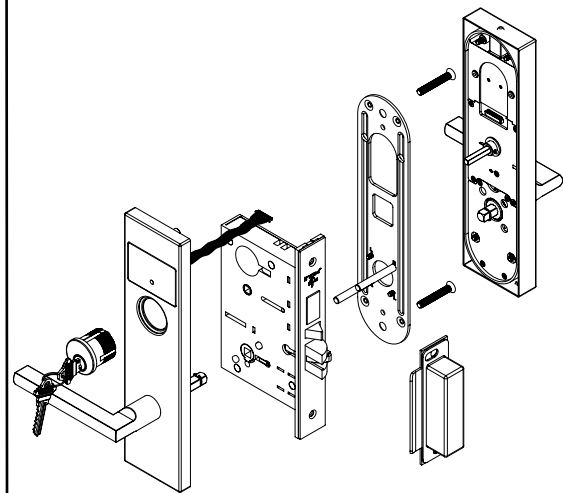


**Installation Instructions**

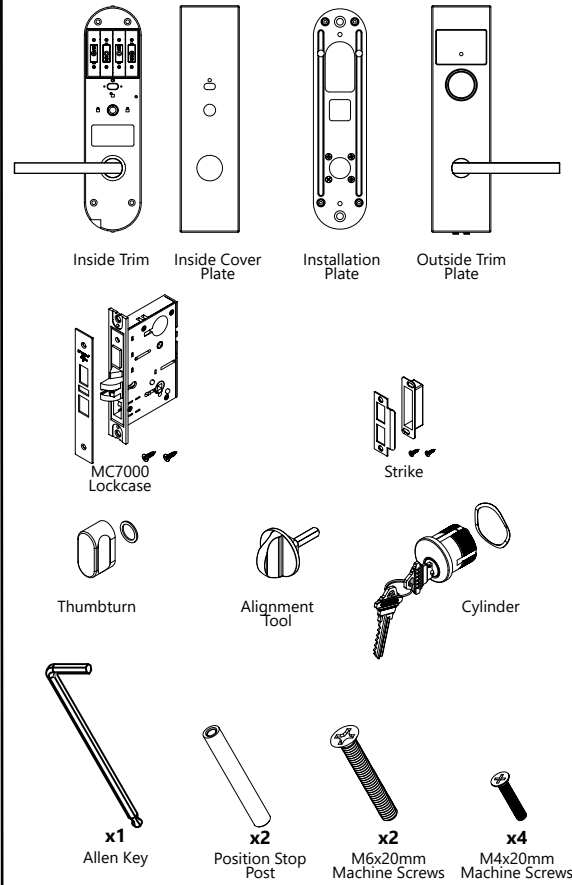


**SMARTLOCK  
ISM7000 with SFR Plate**

This product is intended to be installed in accordance with the installation wiring diagram, mechanical assembly drawings provided with each product, the local authority having jurisdiction (AHJ) and the National Electric Code, NFPA 70. When installed in fail secure mode, the local authority shall be consulted with regard to the use of possible panic hardware to allow emergency exit from the secure area.

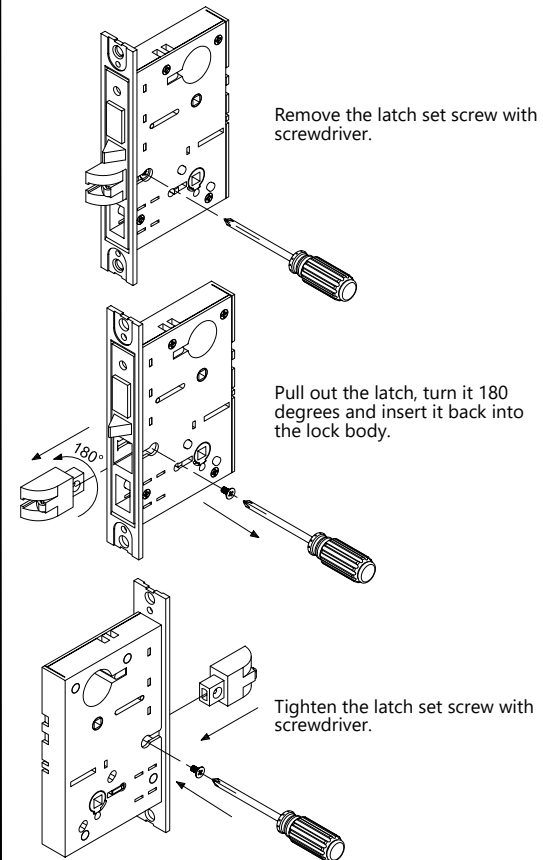
PM-ISISM7000  
V20220627

**Components List**



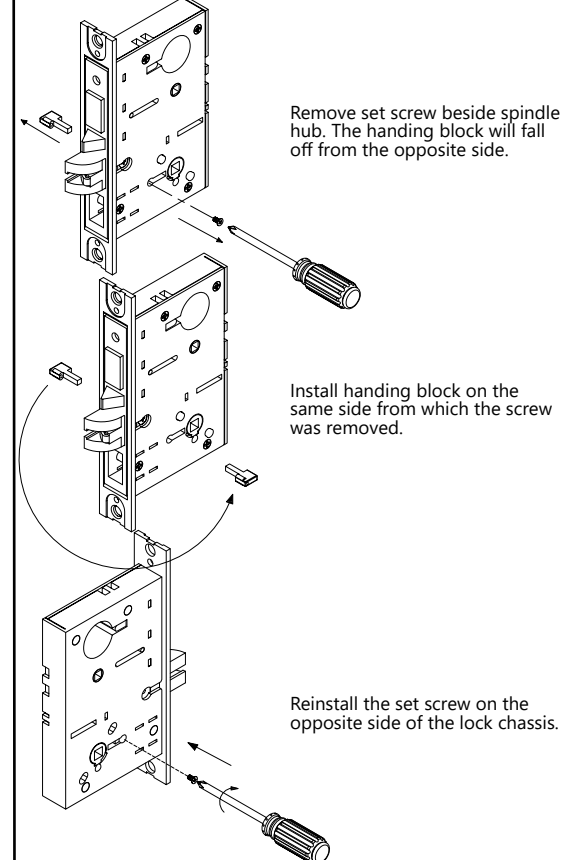
**Step 1: Changing Latchbolt Handing**

Set the latch bolt direction according to the door opening.

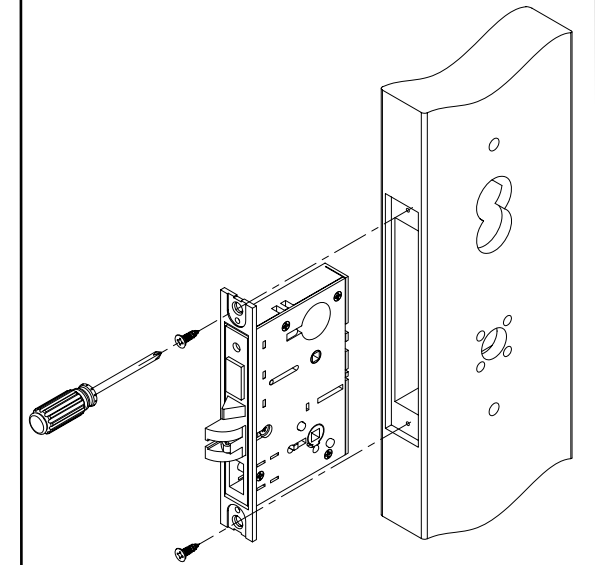


**Step 2: Changing Door Handing**

Set the lock handing according to the door opening.

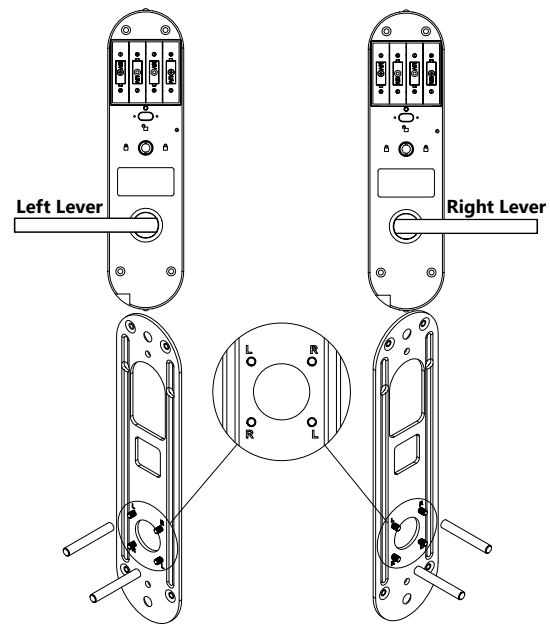


**Step 3: Installing Mortise Lockcase**



Once door prep is complete, install the mortise lockcase. Do not tighten the faceplate screws on the lockcase until you have installed the mortise cylinder.

**Step 4: Installing Position Stop Posts**

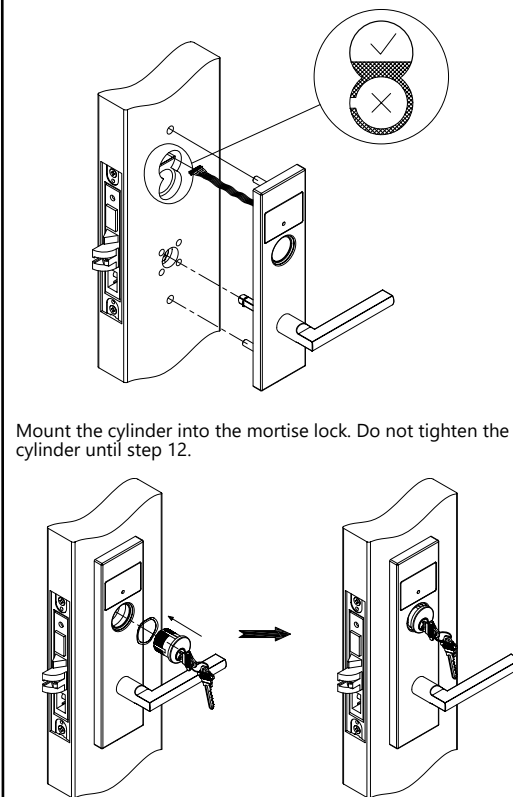


Install position stop posts to the inside installation plate.

**NOTE: Plates are marked with "L" for inside left handing and "R" for inside right handing.**

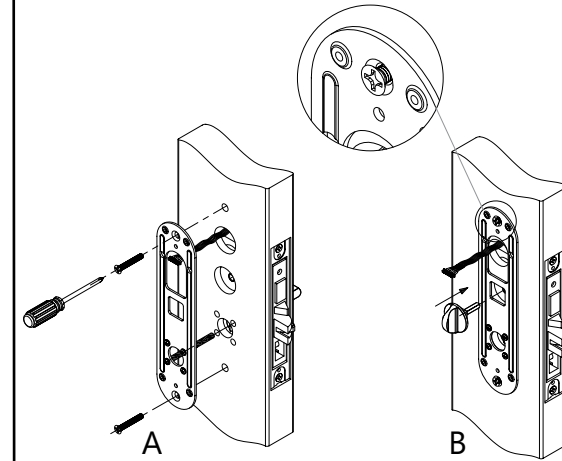
**Step 5: Mounting Outside Escutcheon**

Align using the thru-bolts of the top and bottom prep holes and guide the wire through the opening above the cylinder hole.



Mount the cylinder into the mortise lock. Do not tighten the cylinder until step 12.

**Step 6: Interior Sub-Plate**

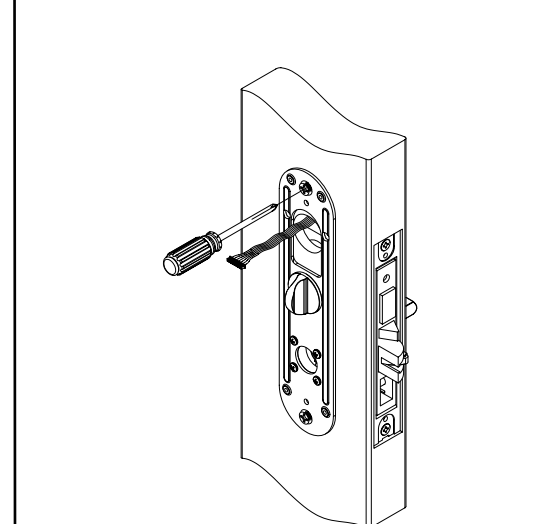


Allow the wire from the outside escutcheon to go through the interior sub-plate. Make sure the position stop post from sub-plate to go through the mortise lock.

Screw in the top and bottom thru-bolt to the outside escutcheon plate but do not tighten yet. (See B)

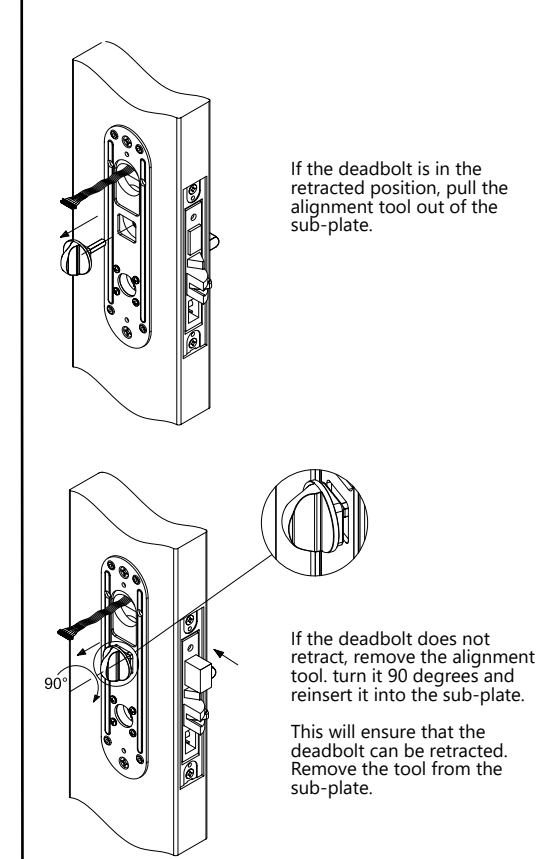
Firmly insert the alignment tool into the square hole of the sub-plate and into the spindle hub of the mortise lock. (See B)

**Step 7: Mounting Interior Sub-Plate**



Once the alignment tool is properly inserted, fully tighten the top and bottom thru-bolt to fix the sub-plate.

**Step 8: Test Mortise Lockcase Deadbolt**

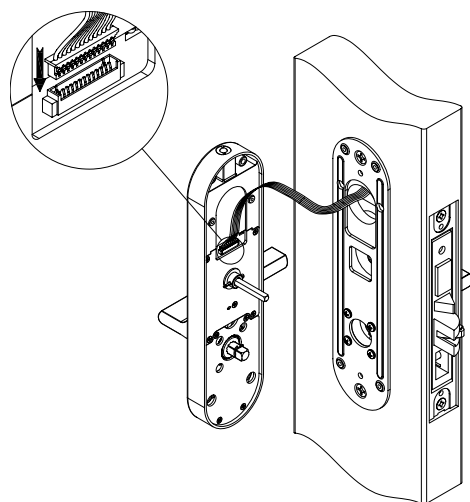


If the deadbolt is in the retracted position, pull the alignment tool out of the sub-plate.

If the deadbolt does not retract, remove the alignment tool, turn it 90 degrees and reinsert it into the sub-plate.

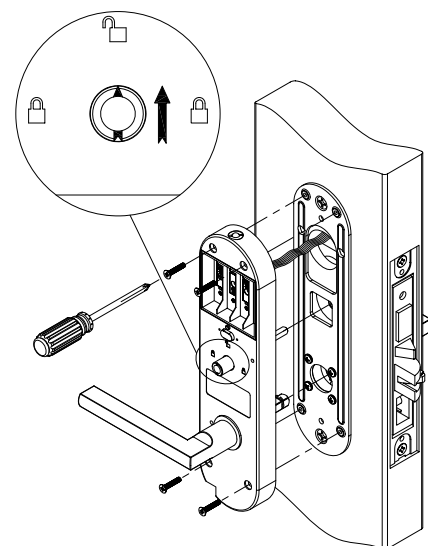
This will ensure that the deadbolt can be retracted. Remove the tool from the sub-plate.

**Step 9: Connecting wire to the Interior Trim**



Firmly plug the wire into the socket of the inside plate.

**Step 10: Mounting Interior Trim**



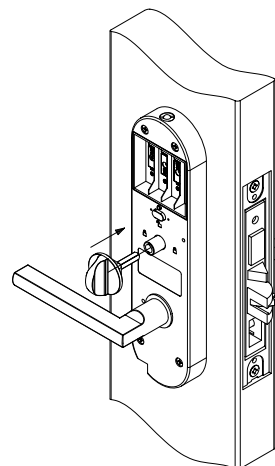
Turn the arrow of the inside plate spindle to the unlocked icon position as shown.

Tug the wire through the hole of the sub-plate into the door before mounting the inside plate.

Insert and tighten the four M4x20mm screws to the sub-plate.

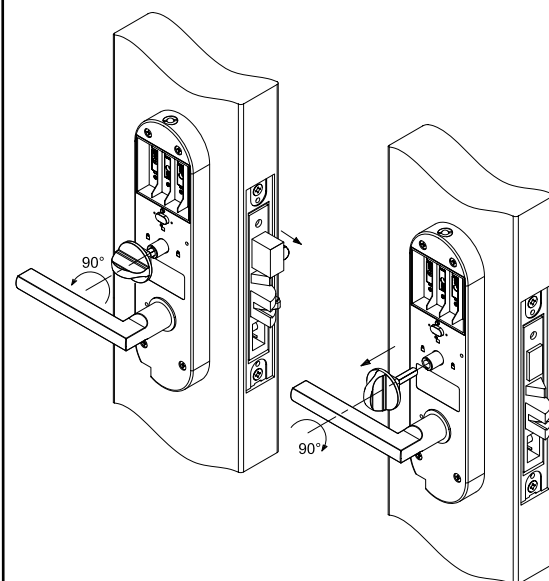
**NOTE: Make sure to put the wires into the hole otherwise the wires will be cut if the plate presses the wire.**

**Step 11: Repeat Test of the Mortise Deadbolt**



Insert alignment tool into spindle hub.

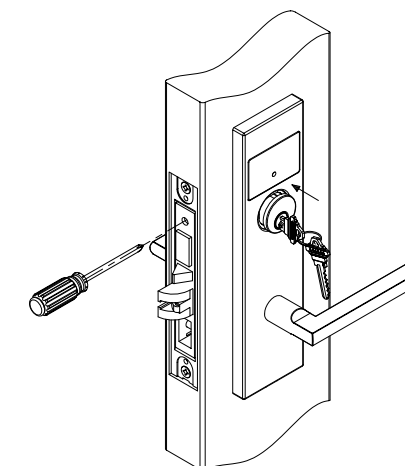
**Trouble-Shooting Mortise Deadbolt**



Ensure that the deadbolt can be smoothly thrown and retracted. If action is not smooth, repeat Step 7 to adjust the subplate.

**NOTE: Retract the deadbolt before removing the alignment tool.**

**Step 12: Install Cylinder**

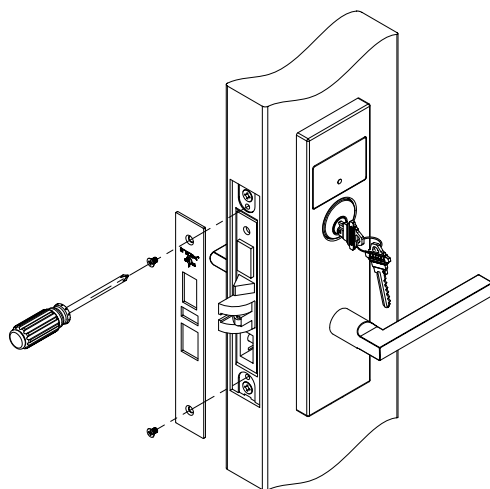


Screw the cylinder into the outside escutcheon, making sure the key hole is properly orientated and in the lower position.

Use the key to throw and retract the deadbolt.

**NOTE: Do not overtighten the screw, as it can cause the cylinder to shift in position.**

**Step 13: Install Faceplate**



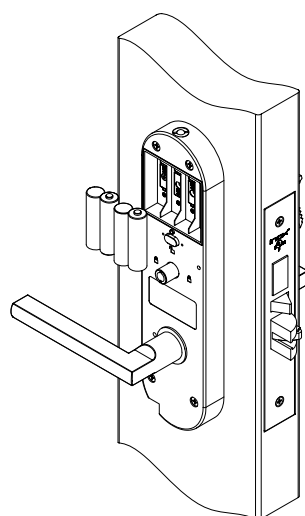
Install faceplate, then use key to verify the cylinder can open the deadbolt and the latch.

Check if inside lever can retract both latchbolt and deadbolt.

Check if outside lever can retract latchbolt when deadbolt is retracted. Outside lever is inoperable when the deadbolt is thrown.

**NOTE: Make sure that the deadbolt is in the retracted position after testing.**

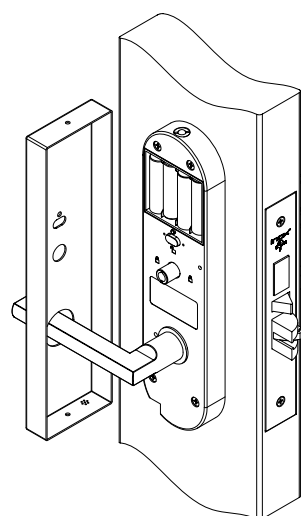
**Step 14: Installing Batteries**



Ensure that the deadbolt is in the retracted position before installing the four AA batteries. Align the batteries to the correct polarity in the compartment.

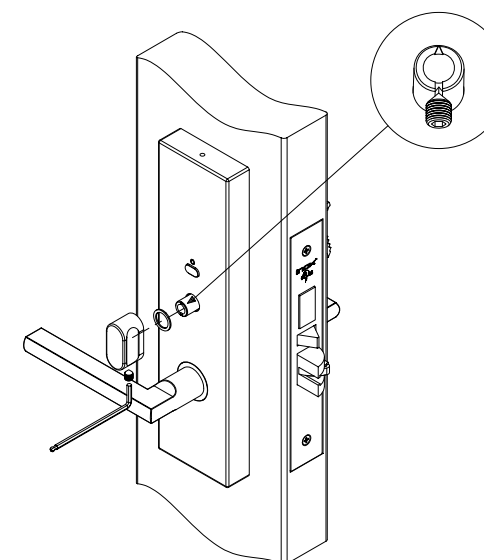
**NOTE: There will be a short delay, but lock will be active when you hear the audio and see the light confirmation.**

**Step 15: Mounting Interior Plate Cover**



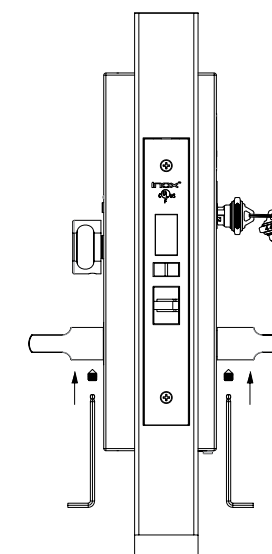
Slide the interior cover plate over the lever and push to click onto the inside plate.

**Step 16: Installing the Thumbturn**



Align the thumbturn set screw to the groove of the spindle. Tighten the set screw with the Allen Key.

**Step 17: Tightening the Levers**



Tighten the set screws of the levers with the Allen Key.